

Supply/Exhaust-air valve for ceiling TLP



Uses

The supply/exhaust air valve TLP is designed to be installed in the ceiling in houses and offices. TLP is suitable for ventilation systems with low pressure drops.

Design

The air valve has a modern design, aimed to fit into most interiors. TLP is made of sheet steel. It is stove enameled in white epoxy color (RAL 9010), which gives a glossy and dirt rejecting surface. The valve is equipped with the mounting ring.

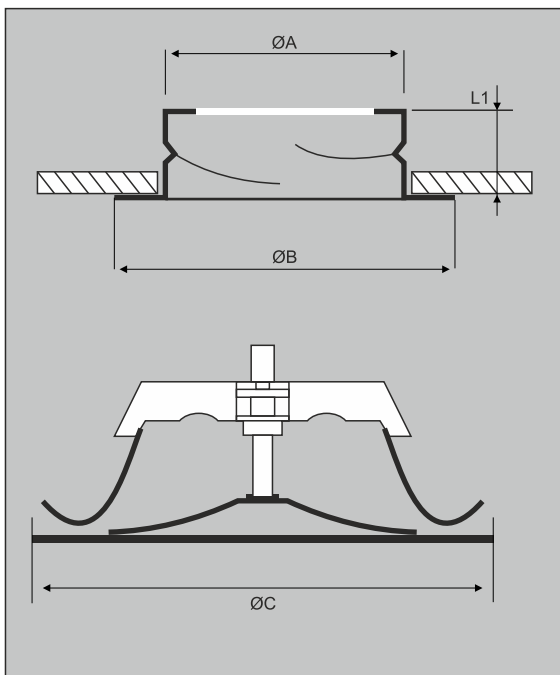
Regulation of air flow

The air flow is adjusted by rotating the disc, i.e. widening or closing the gap. To get the desired amount of air use selection diagram.

Installation

With mounting ring.

Dimensions and weight



Valve Dimensions	ØA (mm)	ØB (mm)	ØC (mm)	L1 (mm)	Weight (g)
100	98	125	140	50	323
125	123	150	173	50	460

When ordering, please state:

Product _____ TLP - 100
Dimension _____

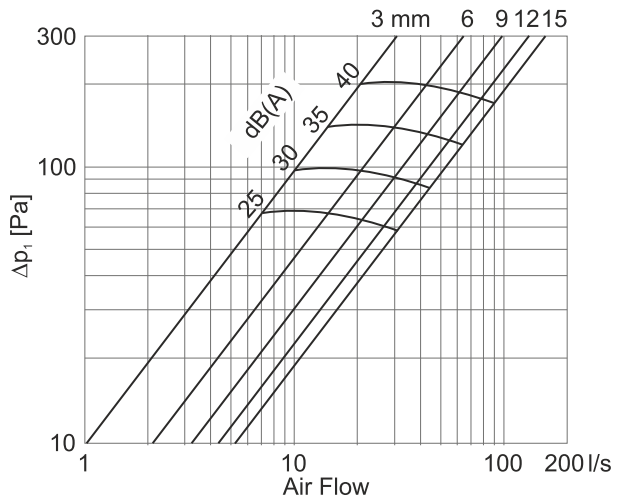
Supply/Exhaust-air valve for ceiling

TLP



Selection diagram

TLP-100 supply/exhaust



TLP-125 supply/exhaust

