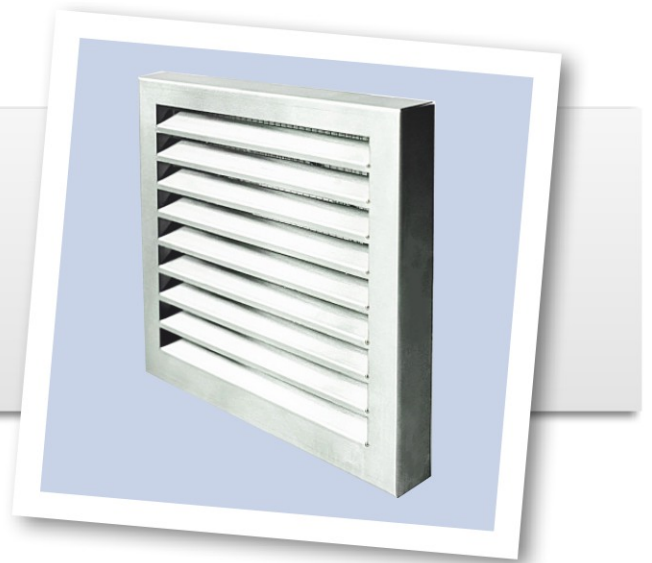


External wall grille YGAR



Uses

YGAR is used for fresh air intake or exhaust air discharge.

Design

YGAR outer wall grille is suitable for outdoor wall mounting and with spiro duct connection DN 125/150/160/200. The front panel with blades is made of stainless steel AISI 304 and with a small animals protection square wire mesh 6 x 6 mm. Due to the removable front panel inspecting and cleaning is possible at any time. The fastening is concealed within the casing.

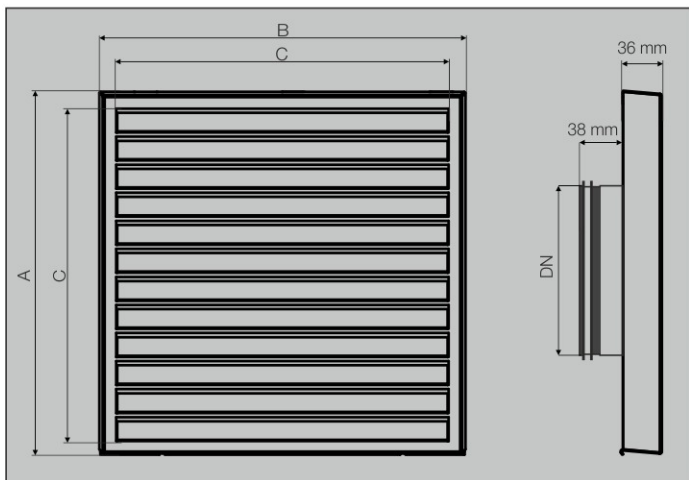
Advantages

- Extended free area
- Low pressure loss
- Easy installation, no fittings necessary
- With small animals protection mesh
- Visually beautiful design
- Shape of the blades prevents rainwater, snow, etc. from entering.
- Easy inspection and cleaning possibility.
- Duct sealing with EPDM rubber gasket.

Installation

YGA-R fits in spiro ducts. Fixed to the wall with 4 screws.

Dimensions and weight



Size, DN mm	A (mm)	B (mm)	C (mm)	Weight kg	Af m ²	Recommended maximum air flow m ³ /h
125	251	253	223	1,5	0,05	400
150						
160						
200	336	339	308	2,1	0,08	650

When ordering, please state:

YGAR - 160

Product _____

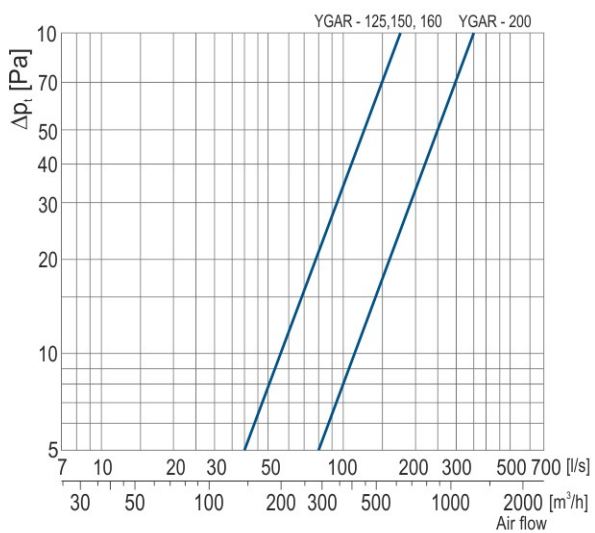
Diameter _____

External wall grille

YGAR



Selection diagram



Efficiency in protecting against rainwater entering

